

SAMSUNG

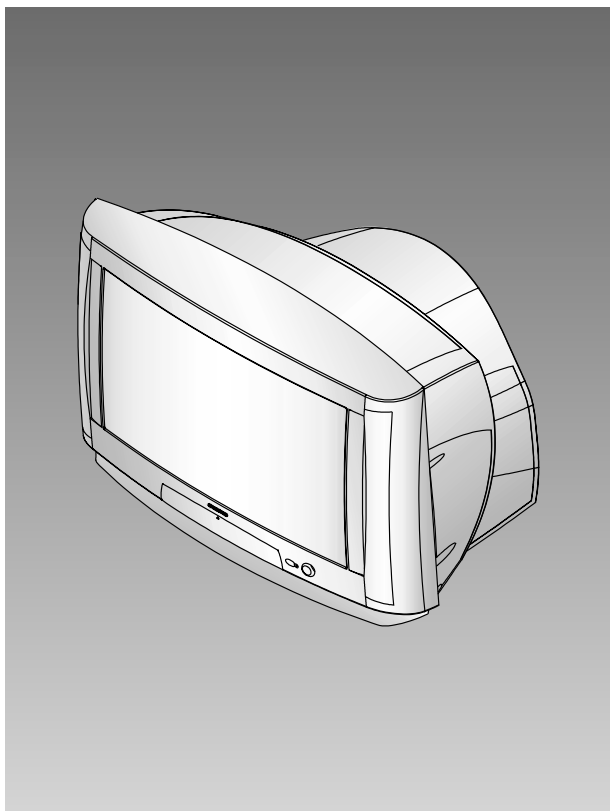
COLOR TELEVISION RECEIVER

Chassis : S51A

Model: CX683CNG3XXEC
CX683CWG3XXEG
WF28W6N3X/XEF
WI24W6VD3X/XEU

SERVICE *Manual*

COLOR TELEVISION RECEIVER



CONTENTS

1. Precautions
2. Specifications and IC Data
3. Disassembly and Reassembly
4. Alignment and Adjustment
5. Troubleshooting
6. Exploded View and Parts List
7. Electrical Parts List
8. Block Diagram
9. PCB Layout Diagram
10. Wiring Diagram
11. Schematic Diagrams



ELECTRONICS